



SUPER MAX

SM 12-200

VRLA Deep Cycle Battery
Maintenance-Free

DATASHEET



SUPER MAX

SM 12-200

12V 200AH

Characteristics

Nominal Voltage		12V
Nominal Capacity (10 hour rate)		200Ah
Capacity 25°C (77°F)	10 hour rate (20A)	200Ah
	3 hour rate (50A)	150Ah
	1 hour rate (110A)	110Ah
Internal Resistance	Full Charged Battery 25°C (77°F)	≤8mΩ
Cyclic Life	50% (C ₁₀) Depth of discharge	600Times
Float Life	25°C (77°F) Float charge at 13.8V	About 5 Years
Capacity affected by Temperature (10 hour)	40°C (104°F)	102%
	25°C (77°F)	100%
	0°C (32°F)	85%
	-15°C (5°F)	65%
Self-Discharge 25°C (77°F)	Capacity after 3 month storage	90%
	Capacity after 6 month storage	80%
	Capacity after 12 month storage	62%
Charge (Constant Voltage) 25°C (77°F)	Cycle	Initial Charging Current Less than 60A Voltage 14.6-15.0V
	Float	Voltage 13.5-13.8V

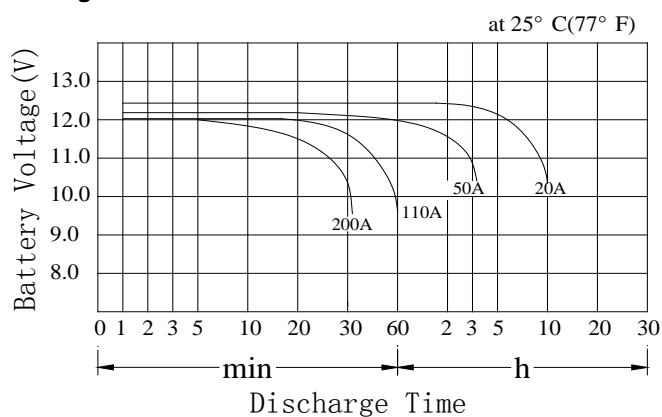
Product Image



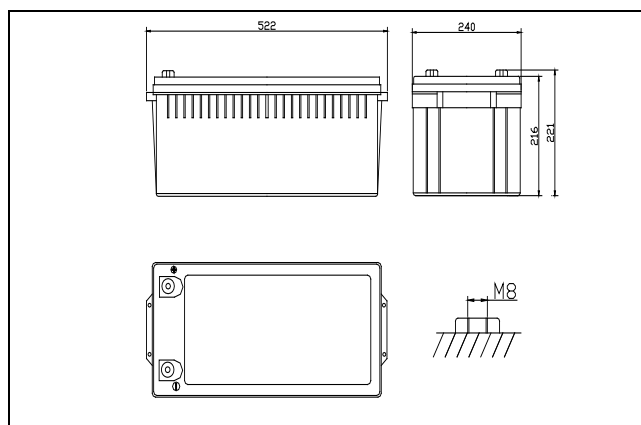
Packing

(L×W×H)	mm ± 1	522×240×242
	inch	20.6×9.45×9.53
Box (L×W×H)	mm ± 2	546×264×290
	inch	21.5×10.4×11.5
Quantity Per Box		1
Net weight Per Cell		56.5kg ± 200g
Net weight Per Box		56.5kg
Gross Weight		57.0kg

Discharge Curve



Product Dimensions



Battery Construction

Component	Positive plate	Negative plate	Container	Safety valve	Terminal	Separator	Electrolyte
Raw Material	Lead dioxide	Lead	ABS	Rubber	Pb	Fiberglass	Sulfuric acid

Discharge Characteristics

Voltage	Run Time (Constant Current and Power 25°C 77° F)										
	3 min	5 min	15 min	30 min	45 min	1h	2h	3h	5h	8h	10h
9.6 V	8740	7600	4300	2760	2060	1492	840	630	420	280	248
10.2V	8400	6500	3860	2460	1980	1472	810	620	416	276	246
10.5V	7700	6160	3640	2240	1940	1448	780	610	410	272	242
10.8V	7040	5860	3160	2000	1880	1420	760	580	390	270	240



12V200AH 50% DEPTH CYCLING TEST REPORT

MODEL	GEL12V200Ah		Capacity	200Ah/20HR			
Terminal	M8		Quantity	1 pc			
Color	BLACK		Weight	58.0 Kg			
Size	522*240*218*226(mm)						
Test method	<p>1. Under C20A discharge to 10.8V</p> <p>2. Charge with 20A to 13.8V, charge time 7 hours.</p> <p>3. The above procedure is as one-time cycle test, have test for each 25 times.</p>						
Result of the test							
Times	Capacity (AH)	times	Capacity (AH)	times	Capacity	times	Capacity
25	112.2	375	111.3	775	108.8	1125	103.0
50	112.8	400	111.2	800	108.5	1150	102.5
75	112.5	425	111.0	825	108.2	1175	101.8
100	113.1	450	110.8	850	107.8	1200	101.3
125	112.4	475	110.7	875	107.5	1225	100.1
150	112.3	500	110.5	900	107.2	1250	99.5
175	112.1	575	110.3	925	106.7		
200	112.0	600	110.1	950	106.1		
225	111.8	625	110.0	975	105.7		
250	111.9	650	109.8	1000	105.2		
275	111.7	675	109.6	1025	104.7		
300	111.5	700	109.3	1050	104.3		
325	111.5	725	109.1	1075	103.9		
350	111.3	750	109.0	1100	103.4		
